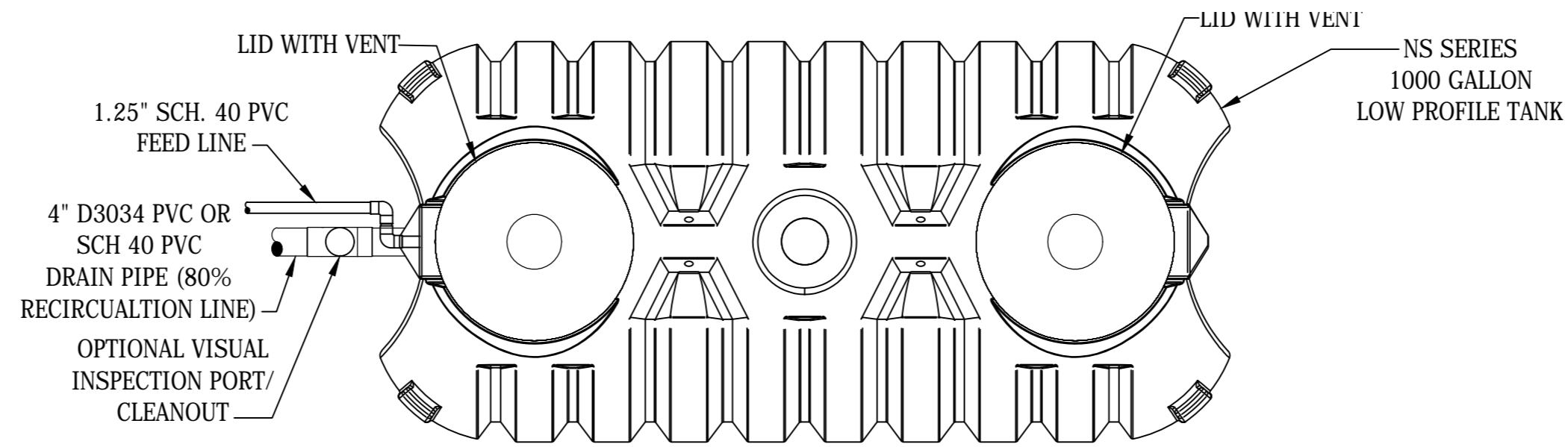


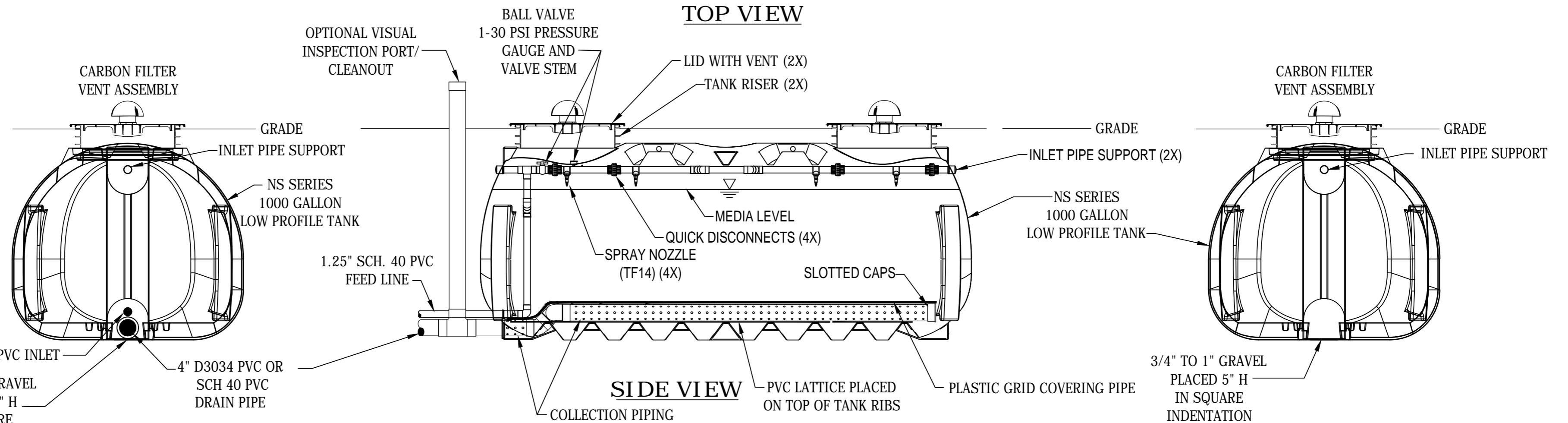
TANK EXTERIOR	
LENGTH	127.0 [3,226]
WIDTH	60.0 [1,524]
HEIGHT	51.0 [1,295]

LOADING RATE	TREATMENT CAPACITY
6.0 GPD FT ³	800 GPD [-3,030 LPD]

- NOTES:
 1. ALL PRESSURE PIPING IS SCH 40 PVC.
 2. CHECK INSTALLATION MANUAL FOR NOZZLE PRESSURE.



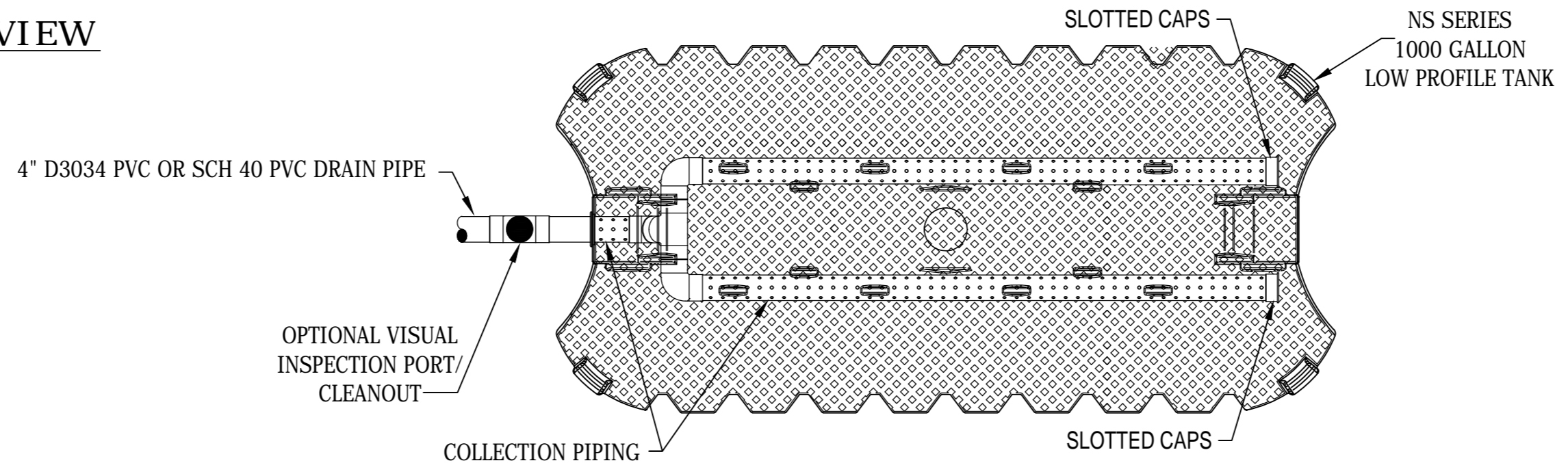
TOP VIEW



SIDE VIEW

END VIEW

END VIEW



BOTTOM VIEW (COLLECTION SYSTEM)



© Copyright Anua International LLC
 "Copyright and ownership of this drawing is vested in Anua International LLC, whose prior written consent is required for its use, reproduction or for publication to any third party. All rights reserved by the law of copyright and by international copyright conventions are reserved to Anua International LLC and may be protected by court proceedings for damages and/or injunctions and costs."

DRAWING TITLE: Quanics AeroCell or Quanics BioCoir
 ATS-NS1000-AC-N or ATS-NS1000-BC-N

PROJECT: TBD

CLIENT: ANUA CLIENT

Do not scale directly from drawing Dimensions are in inches unless stated otherwise If in doubt, ask!

DWG No: NS1000

DATE: 06/03/20

SCALE: N.T.S.

DRAWN BY: JLM

CHECKED: CB

APPROVED: CB

- DWG STATUS -		ISSUE
PLANNING	<input checked="" type="checkbox"/>	FIRST ISSUE OF DRAWING
TENDER	<input type="checkbox"/>	
FOR APPROVAL	<input type="checkbox"/>	
FOR CONSTRUCTION	<input type="checkbox"/>	
AS BUILT	<input type="checkbox"/>	

SHT 1 OF 1 PAGE SIZE B