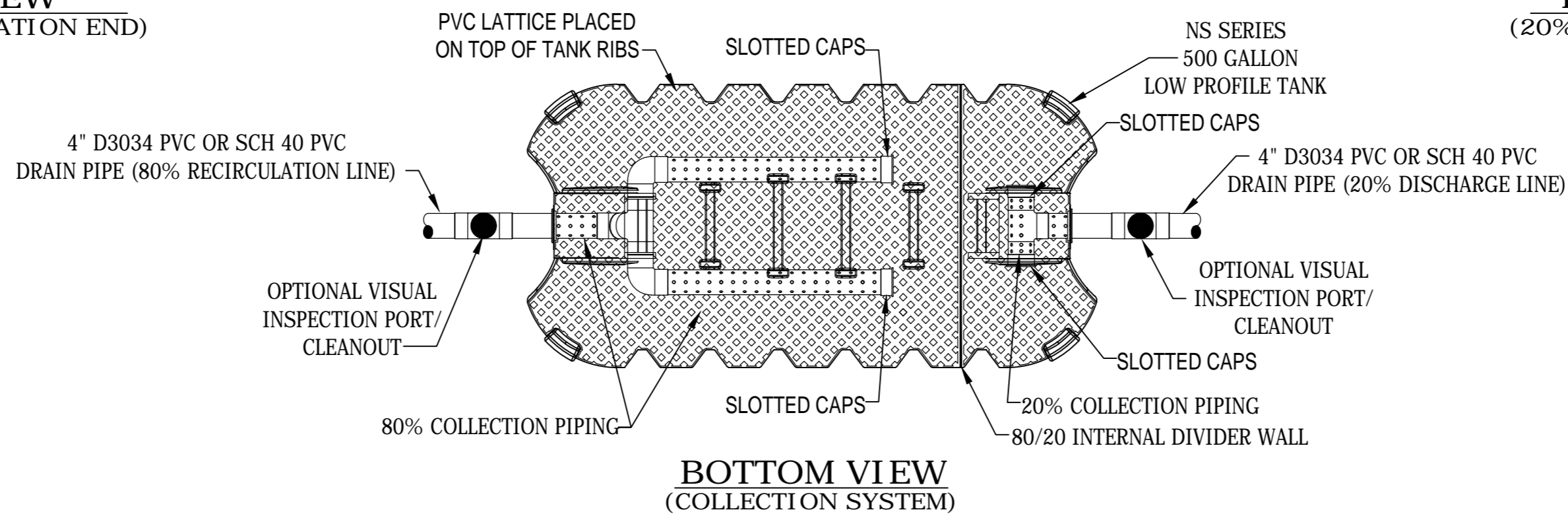
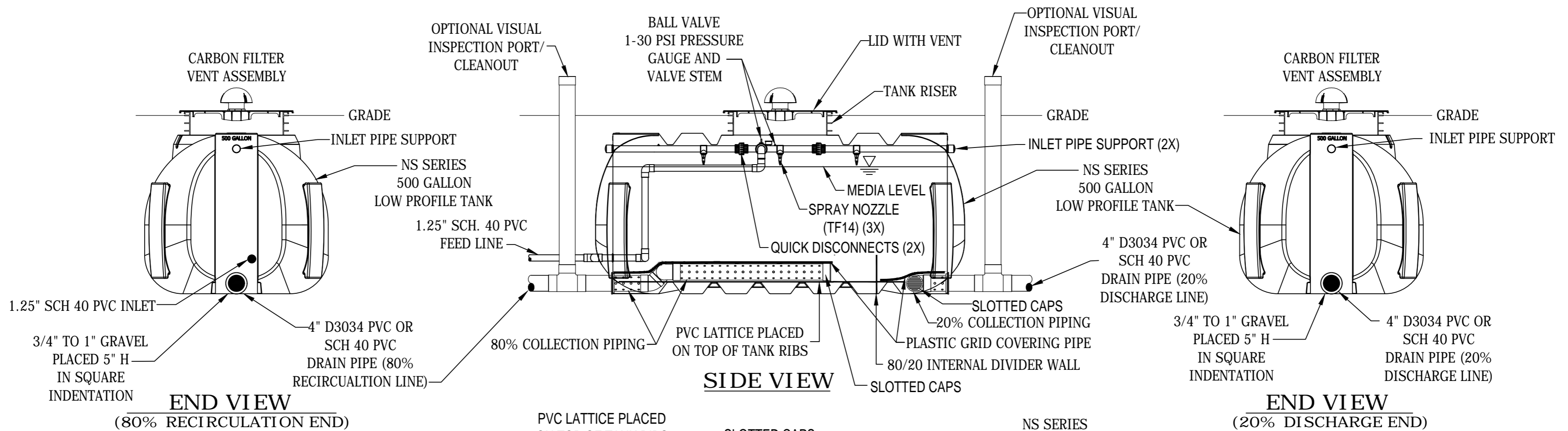
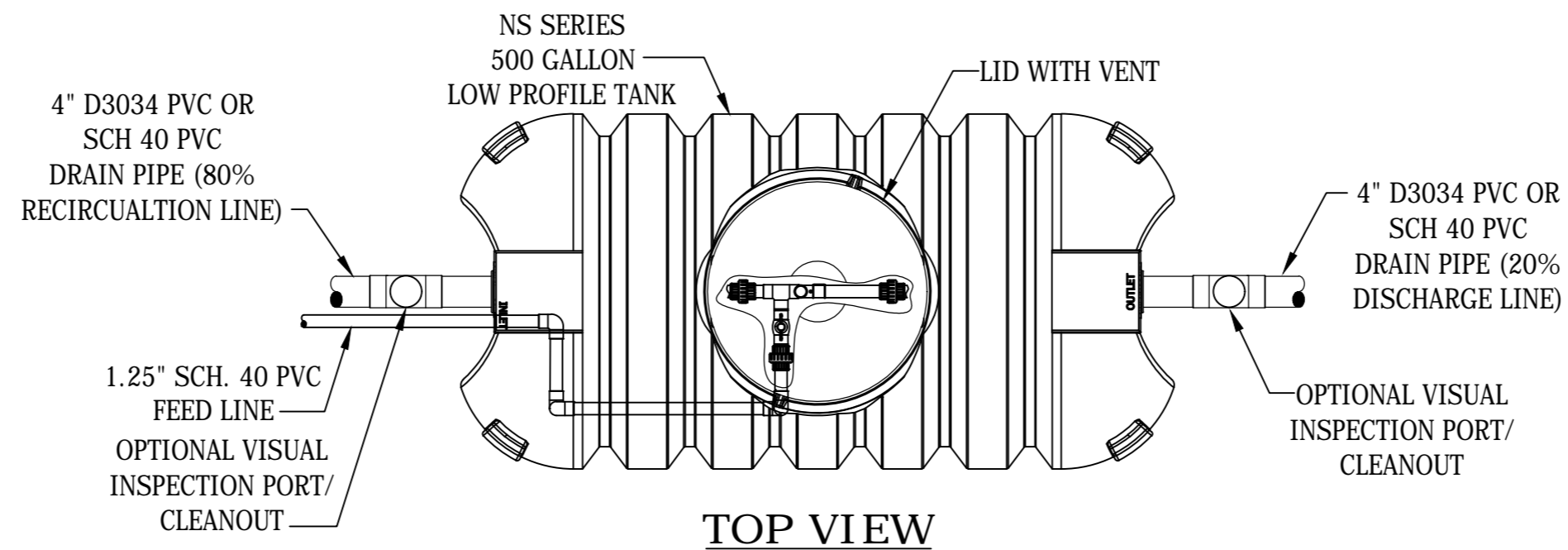


TANK EXTERIOR	
LENGTH	96.44 [2,450]
WIDTH	48.00 [1,219]
HEIGHT	41.69 [1,059]

LOADING RATE	TREATMENT CAPACITY
6.0 GPD FT ³	500 GPD [-1,900 LPD]

NOTES:

1. ALL PRESSURE PIPING IS SCH 40 PVC.
2. CHECK INSTALLATION MANUAL FOR NOZZLE PRESSURE.



© Copyright Anua International LLC
 "Copyright and ownership of this drawing is vested in Anua International LLC, whose prior written consent is required for its use, reproduction or for publication to any third party. All rights reserved by the law of copyright and by international copyright conventions are reserved to Anua International LLC and may be protected by court proceedings for damages and/or injunctions and costs."

DRAWING TITLE: Quanics AeroCell or Quanics BioCair
 ATS-NS500-80/20-AC-N or ATS-NS500-80/20-BC-N

PROJECT: TBD

CLIENT: ANUA CLIENT

Do not scale directly from drawing Dimensions are in inches unless stated otherwise If in doubt, ask!

DWG No: NS500-80/20

DATE: 06/03/20

SCALE: N.T.S.

DRAWN BY: JLM

CHECKED: CB

APPROVED: CB

- DWG STATUS -		ISSUE
PLANNING	<input checked="" type="checkbox"/>	FIRST ISSUE OF DRAWING
TENDER	<input type="checkbox"/>	
FOR APPROVAL	<input type="checkbox"/>	
FOR CONSTRUCTION	<input type="checkbox"/>	
AS BUILT	<input type="checkbox"/>	SHT 1 OF 1 PAGE SIZE B