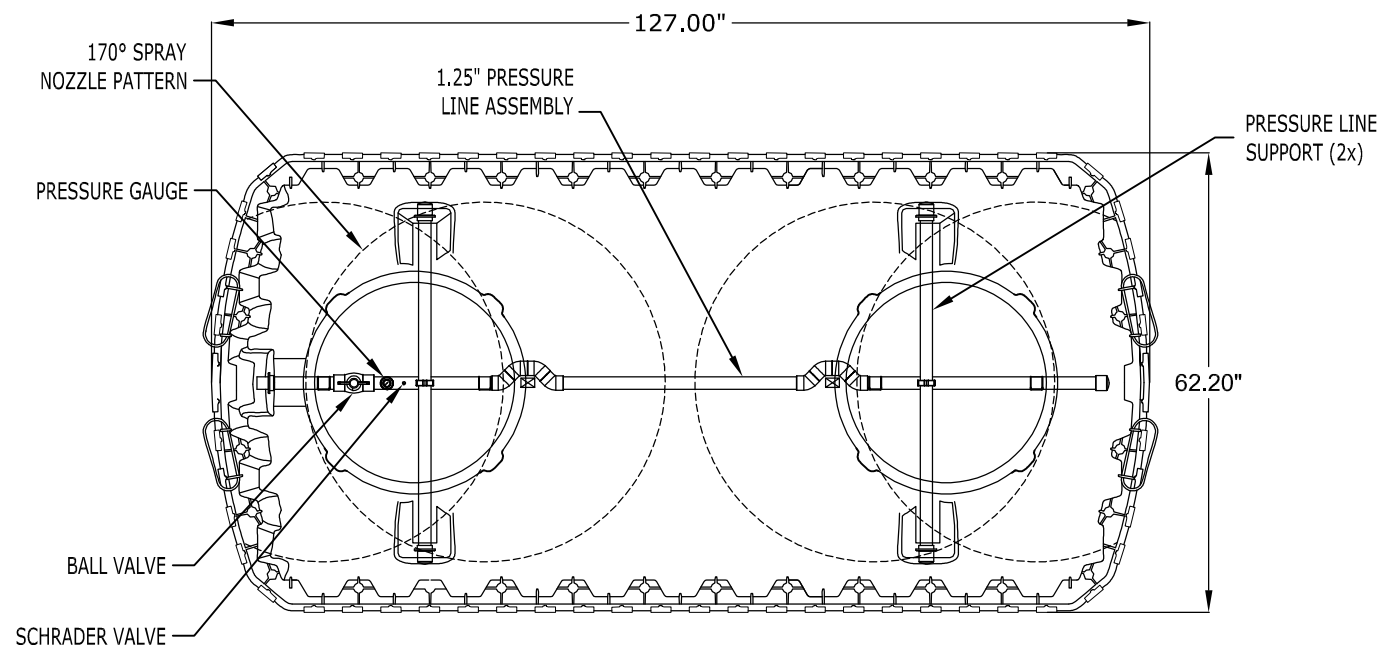


TANK EXTERIOR	
LENGTH	127.0 [3,226]
WIDTH	62.2 [1,580]
HEIGHT	54.7 [1,389]

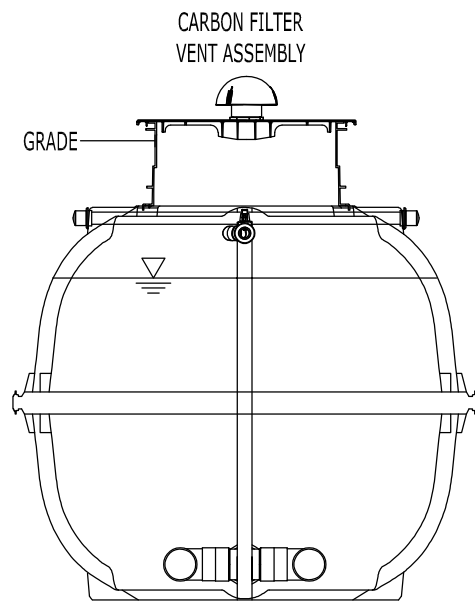
LOADING RATE	TREATMENT CAPACITY
6.0 GPD FT ³	800 GPD [3,028 LPD]

NOTES:

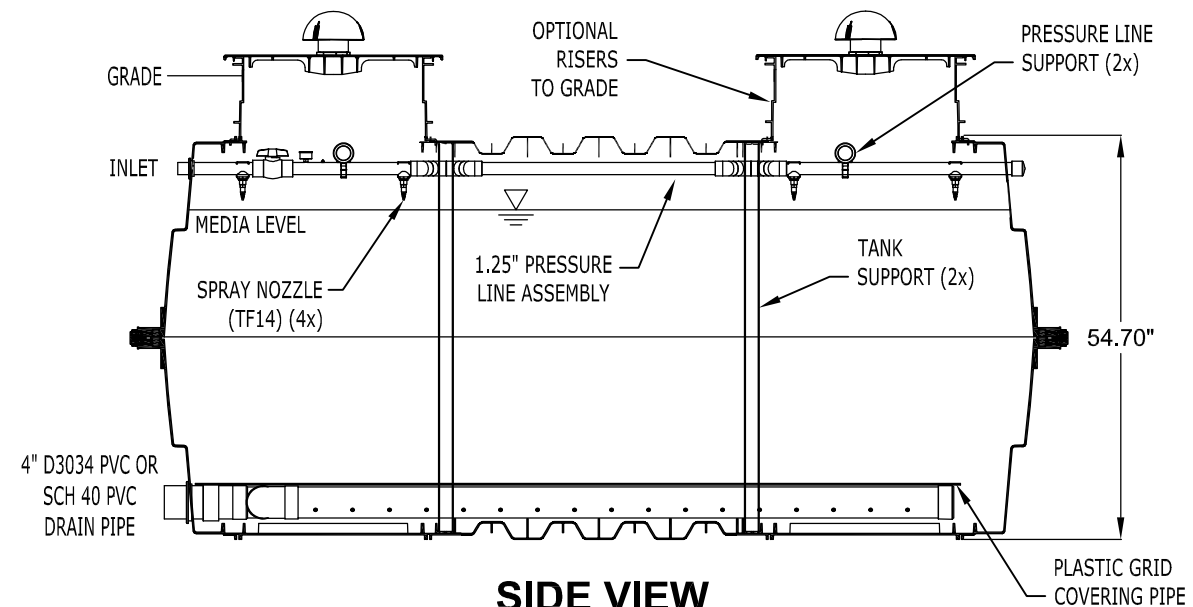
1. ALL PRESSURE PIPING IS SCH 40 PVC.
2. CHECK INSTALLATION MANUAL FOR NOZZLE PRESSURE.



TOP VIEW



END VIEW



SIDE VIEW