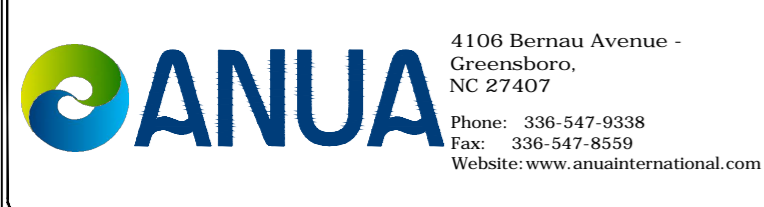
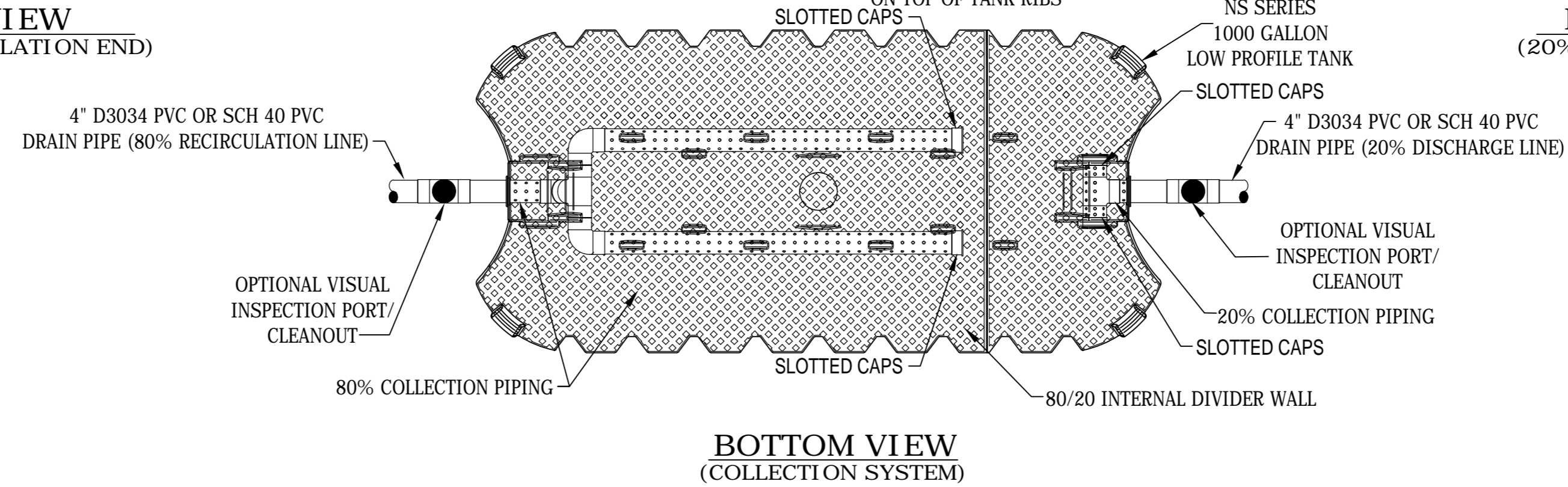
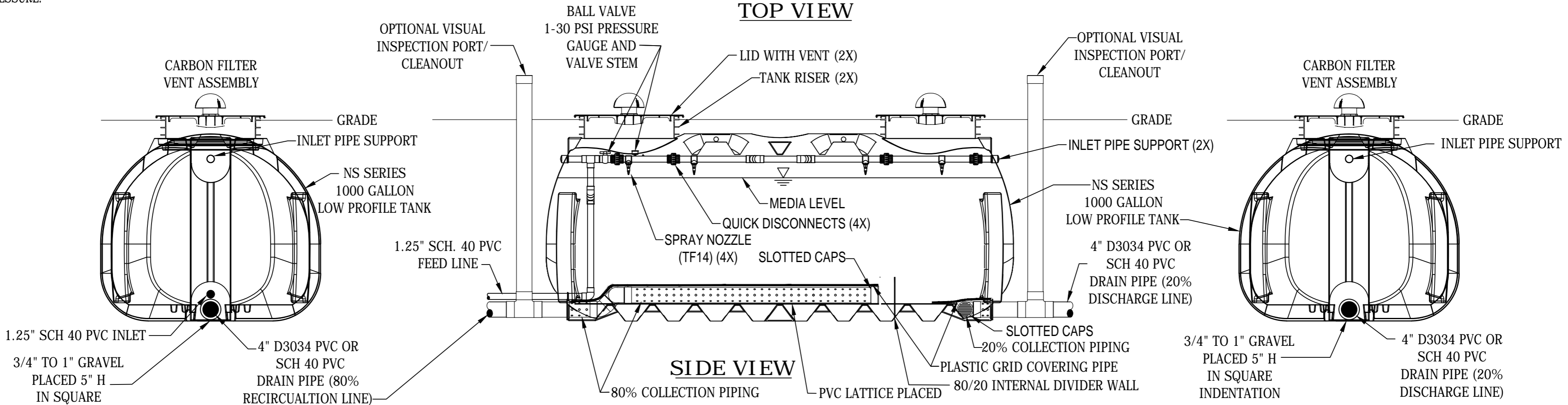
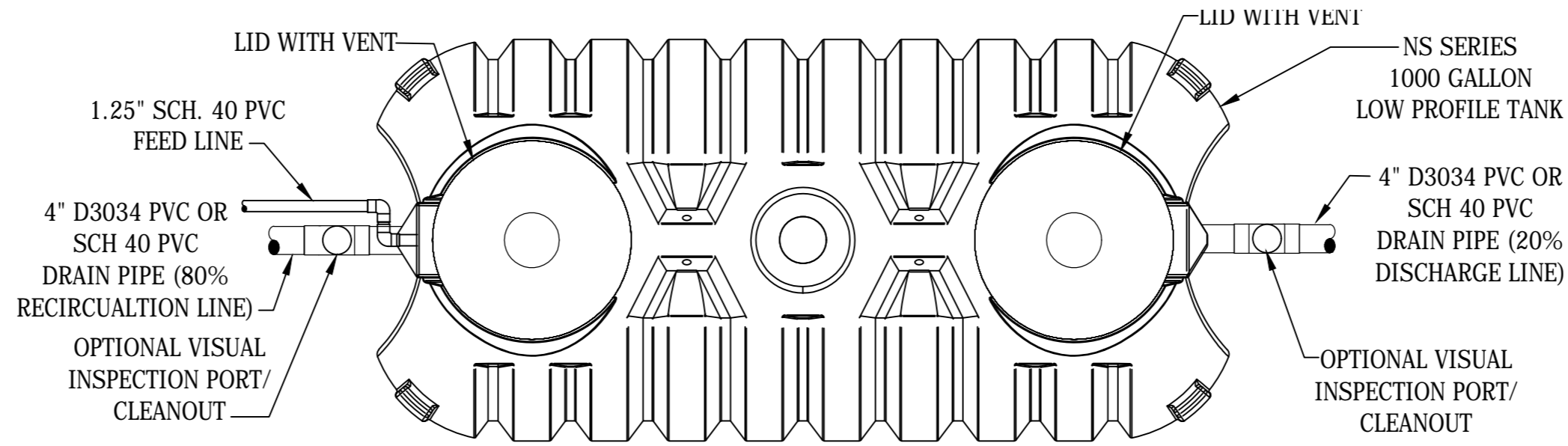


TANK EXTERIOR	
LENGTH	127.0 [3,226]
WIDTH	60.0 [1,524]
HEIGHT	51.0 [1,295]

LOADING RATE	TREATMENT CAPACITY
6.0 GPD FT <sup>3</sup>	800 GPD [-3,030 LPD]

NOTES:  
 1. ALL PRESSURE PIPING IS SCH 40 PVC.  
 2. CHECK INSTALLATION MANUAL FOR NOZZLE PRESSURE.



© Copyright Anua International LLC  
 "Copyright and ownership of this drawing is vested in Anua International LLC, whose prior written consent is required for its use, reproduction or for publication to any third party. All rights reserved by the law of copyright and by international copyright conventions are reserved to Anua International LLC and may be protected by court proceedings for damages and/or injunctions and costs."

DRAWING TITLE: Quanics AeroCell or Quanics BioCoir ATS-NS1000-80/20-AC-N or ATS-NS1000-80/20-BC-N	DWG No: NS1000-80/20	DRAWN BY: JLM	- DWG STATUS - PLANNING <input checked="" type="checkbox"/> TENDER <input type="checkbox"/> FOR APPROVAL <input type="checkbox"/> FOR CONSTRUCTION <input type="checkbox"/> AS BUILT <input type="checkbox"/>	ISSUE	
PROJECT: TBD	DATE: 06/03/20	CHECKED: CB		FIRST ISSUE OF DRAWING	
CLIENT: ANUA CLIENT	SCALE: N.T.S.	APPROVED: CB			
Do not scale directly from drawing Dimensions are in inches unless stated otherwise If in doubt, ask!				SHT 1 OF 1	PAGE SIZE B