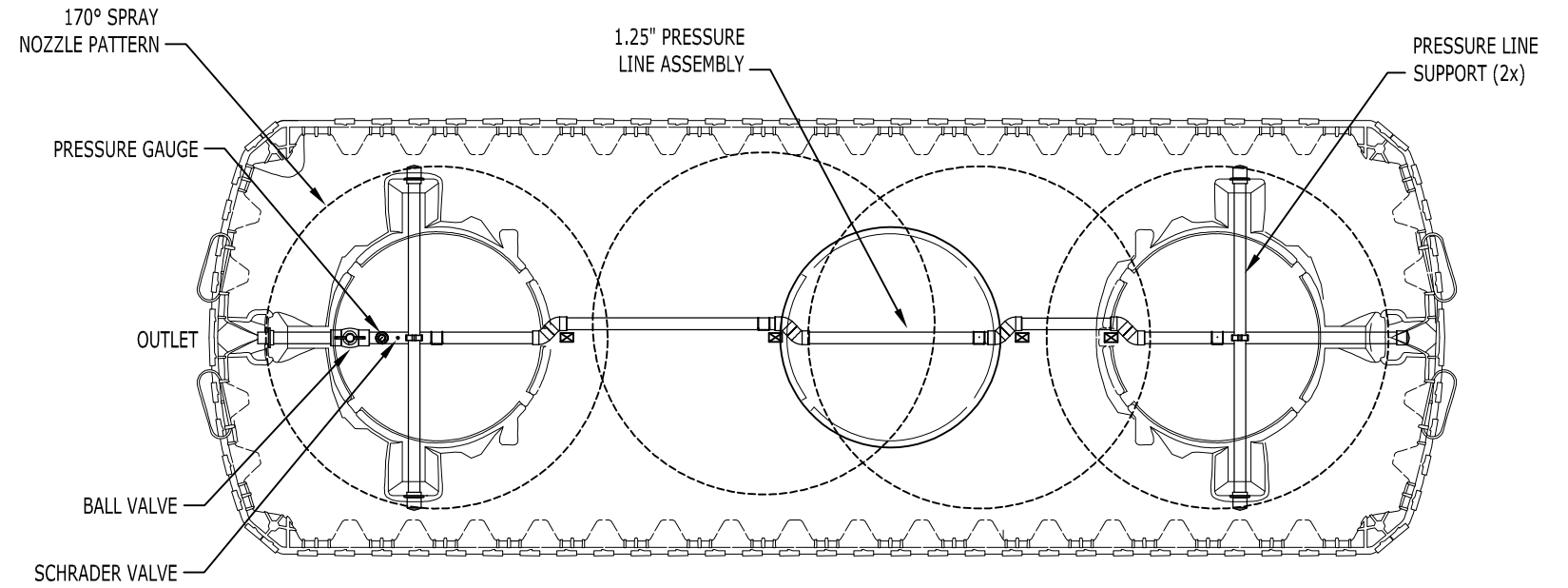


TANK EXTERIOR	
LENGTH	175.6 [4,460]
WIDTH	61.7 [1,567]
HEIGHT	54.5 [1,384]

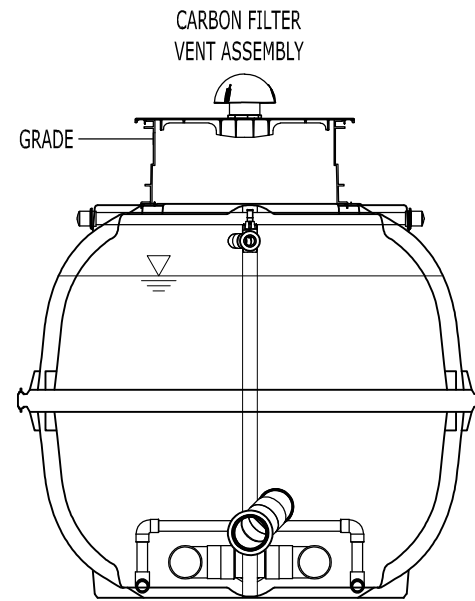
LOADING RATE	TREATMENT CAPACITY
6.0 GPD FT ³	1,500 GPD [5,678 LPD]

NOTES:

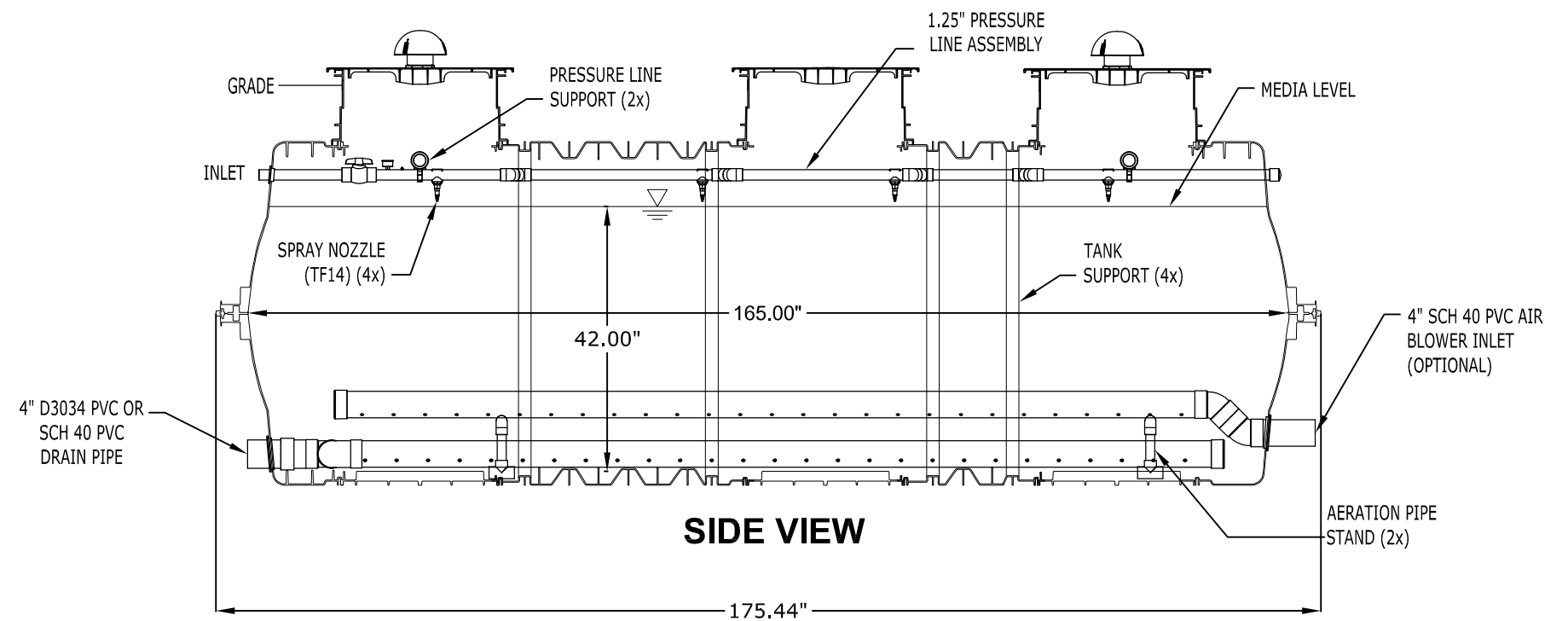
1. ALL PRESSURE PIPING IS SCH 40 PVC.
2. CHECK INSTALLATION MANUAL FOR NOZZLE PRESSURE.



TOP VIEW



END VIEW



SIDE VIEW