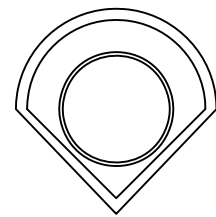
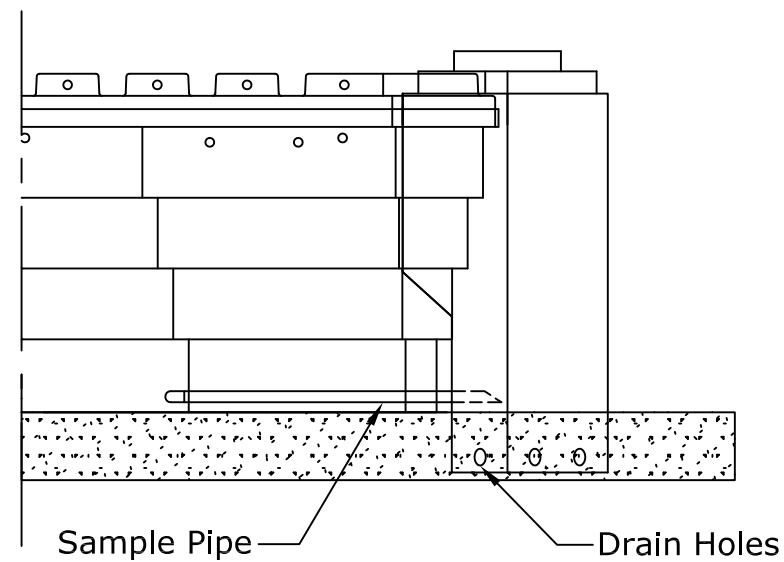
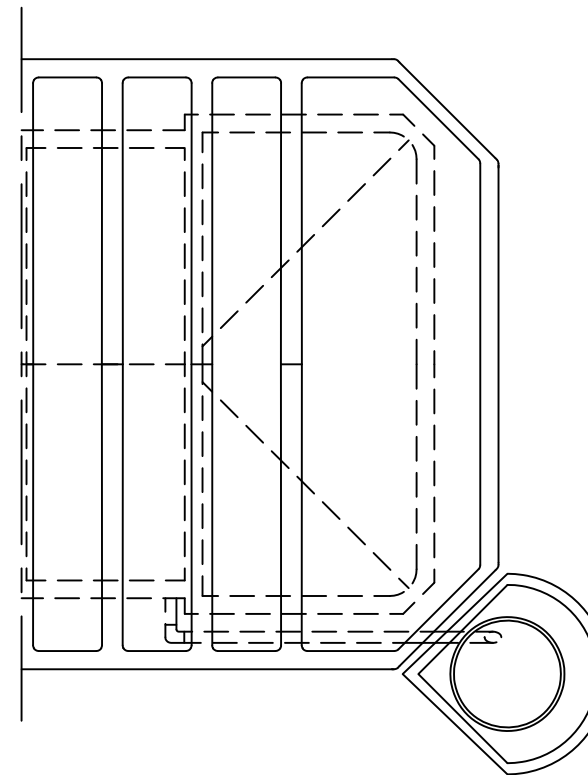


ELEVATION VIEW END VIEW



PLAN VIEW



Notes:
1) NO WEEP-HOLES ON MODULES CONTAINING SAMPLE PIPE

Legend:

| A | FIRST RELEASE | 6/1/12 |
|------|---------------|--------|
| Rev. | DESCRIPTION | DATE |



4106 Bernau Avenue - Greensboro, NC 27407
Phone 336-547-9338 Fax 336-547-8559
www.bnm-us.com

© Copyright Bord na Móna Environmental Products U.S. Inc.
"Copyright and ownership of this drawing is vested in Bord na Móna Environmental Products U.S. Inc., whose prior written consent is required for its use, reproduction or for publication to any third party. All rights reserved by the law of copyright and by international copyright conventions are reserved to Bord na Móna Environmental Products U.S. Inc. and may be protected by court proceedings for damages and/or injunctions and costs."

Project PURAFLO PEAT FIBER BIOFILTER

Client CLIENT

Drawing Title SAMPLE CHAMBER DETAIL

| | | | | |
|--------|------------|----------|------------|-------------|
| Date | Scale (A3) | Drawn by | Checked by | Approved by |
| 6/1/12 | N/S | AJW | PJ | PJ |

| | | |
|--|---|------------|
| Status | FOR APPROVAL <input type="checkbox"/> | Dwg. No. |
| PLANNING <input checked="" type="checkbox"/> | FOR CONSTRUCTION <input type="checkbox"/> | PURAFLO-04 |
| TENDER <input type="checkbox"/> | AS BUILT <input type="checkbox"/> | |