

ISOMETRIC VIEWS

UNION FOR PUMP/AERATOR SERVICE (3)

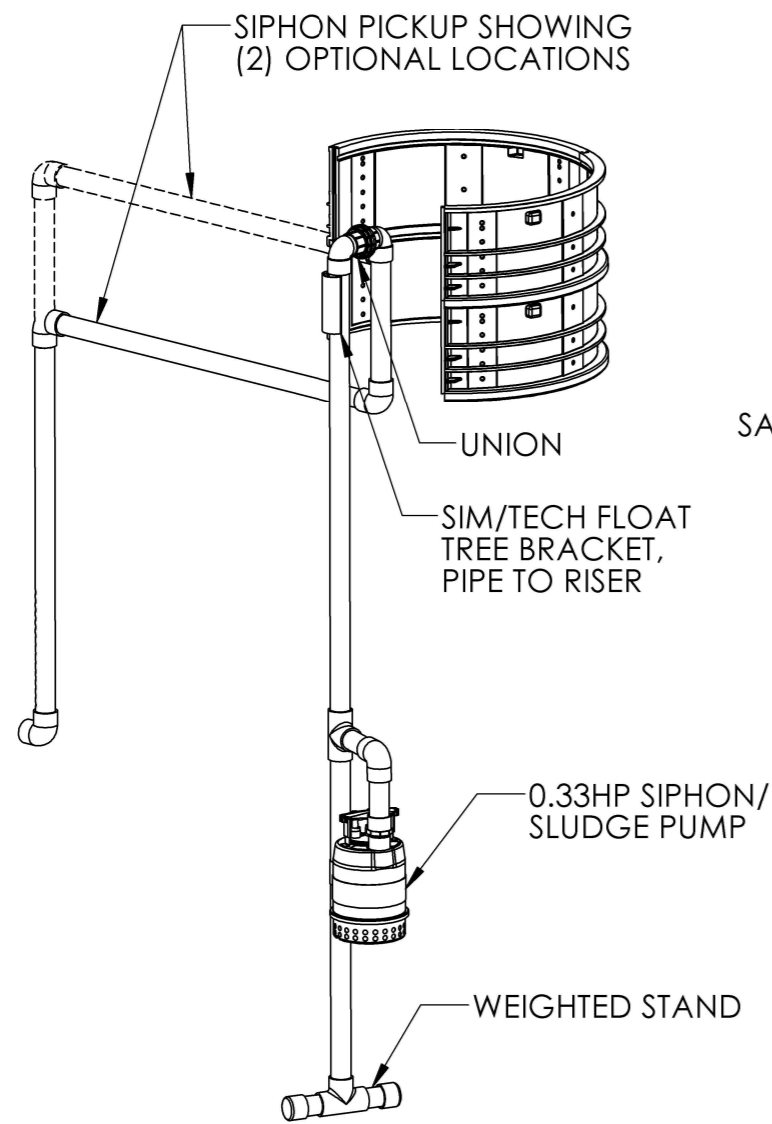
4106 Bernau Avenue - Greensboro, NC 27407
336.547.9338
anuainternational.com

Drawing Title
PURASYS SBR PS1 - CONCRETE TANK

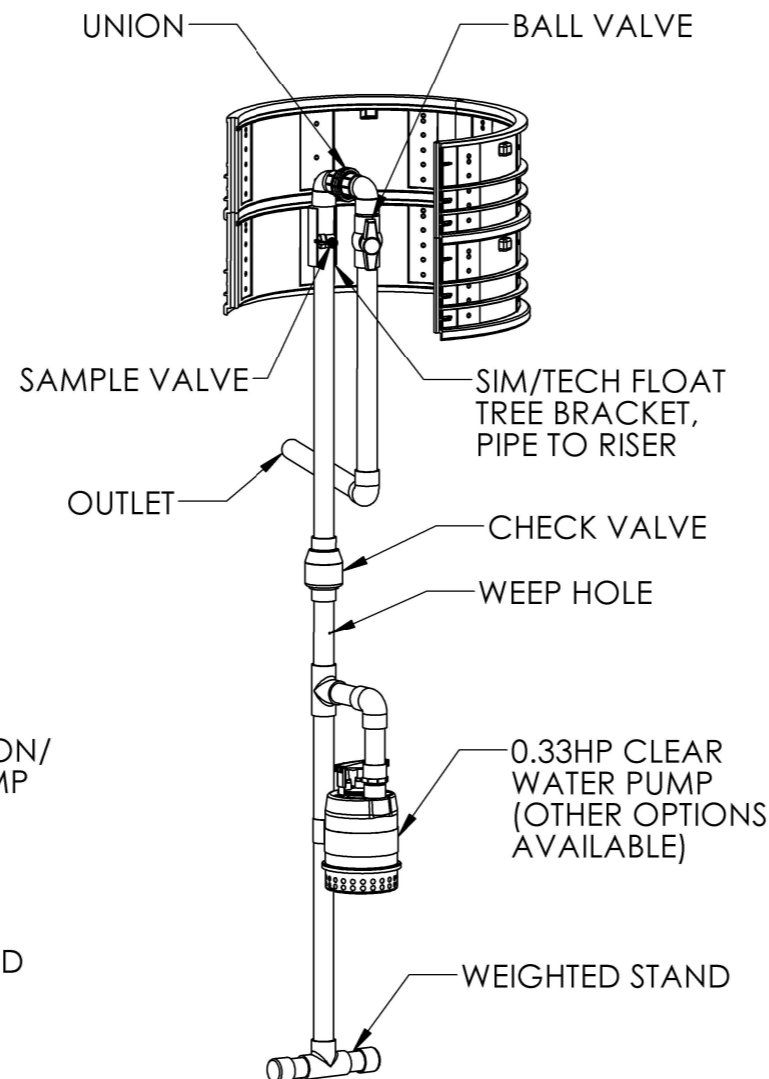
Sheet 1 of 2	Rev. A	Drawn by ADAM L	Checked by COLIN B	Approved by COLIN B
-----------------	-----------	--------------------	-----------------------	------------------------

Dwg. No.
ANU-PS1-001

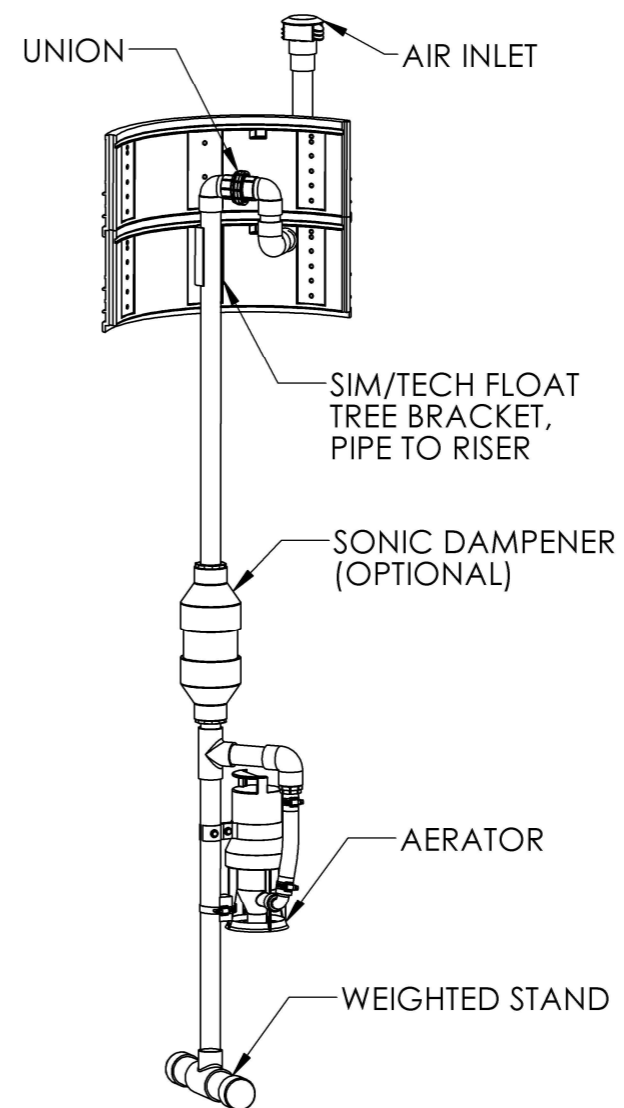
© Copyright Anua International Lic, Greensboro, NC. All rights reserved. No part of this drawing may be reproduced, stored in a retrieval system, or transmitted in any form or by any means, electronic, mechanical, photocopying, recording, or by any information storage and retrieval system, without the prior written consent of Anua International Lic. Anua International Lic. and its subsidiaries and affiliates shall not be held liable for any damages and/or injuries and costs.



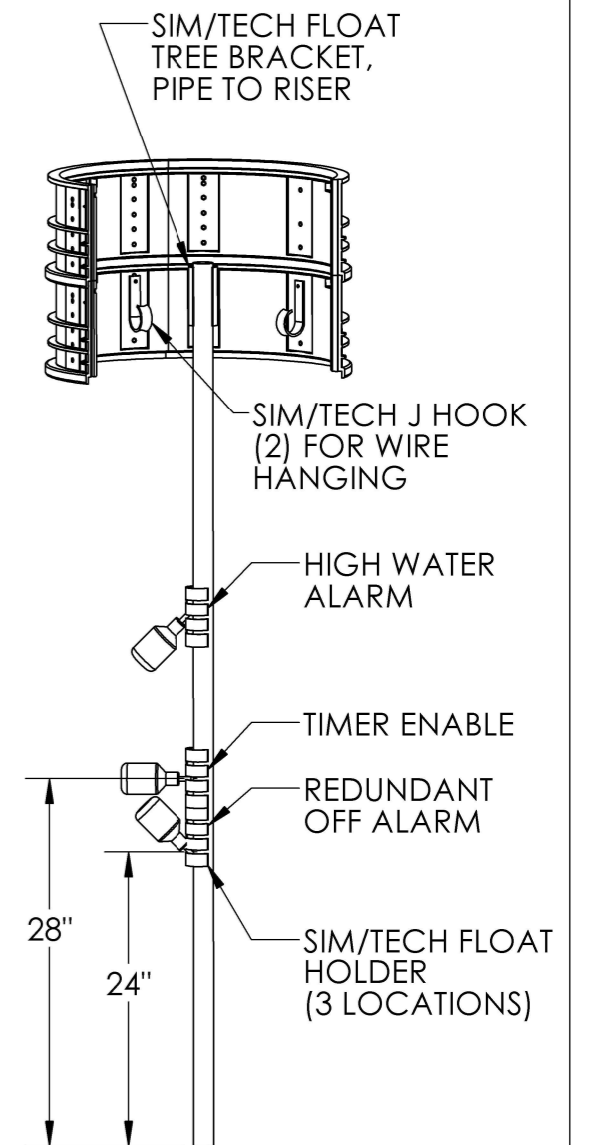
SIPHON/SLUDGE PUMP



CLEAR WATER PUMP



AERATOR



FLOAT TREE

© Copyright Anua International Lic. Greensboro, NC.
 "Copyright and ownership of this drawing is vested in Anua International Lic., whose prior written consent is required for its use, reproduction or for publication to any third party. All rights are reserved to Anua International Lic. and may be protected by court proceedings for damages and/or injunctions and costs."



4106 Bernau Avenue - Greensboro, NC 27407
 336.547.9338
 anuainternational.com

Drawing Title

PURASYS SBR PS1 - CONCRETE TANK

Sheet	Rev.	Drawn by	Checked by	Approved by
2 of 2	A	ADAM L	COLIN B	COLIN B

Dwg. No.

ANU-PS1-001